


Flange socket connector - M8 female (F)

Description: Used for fixed I/O connecting such as panel and cabinet. Standard M8(female) threaded connection. 3, 4-core are optional.		
Features: <ul style="list-style-type: none"> ■ Optional front/rear panel installation ■ Customized cable lengths 		
Technical Data		

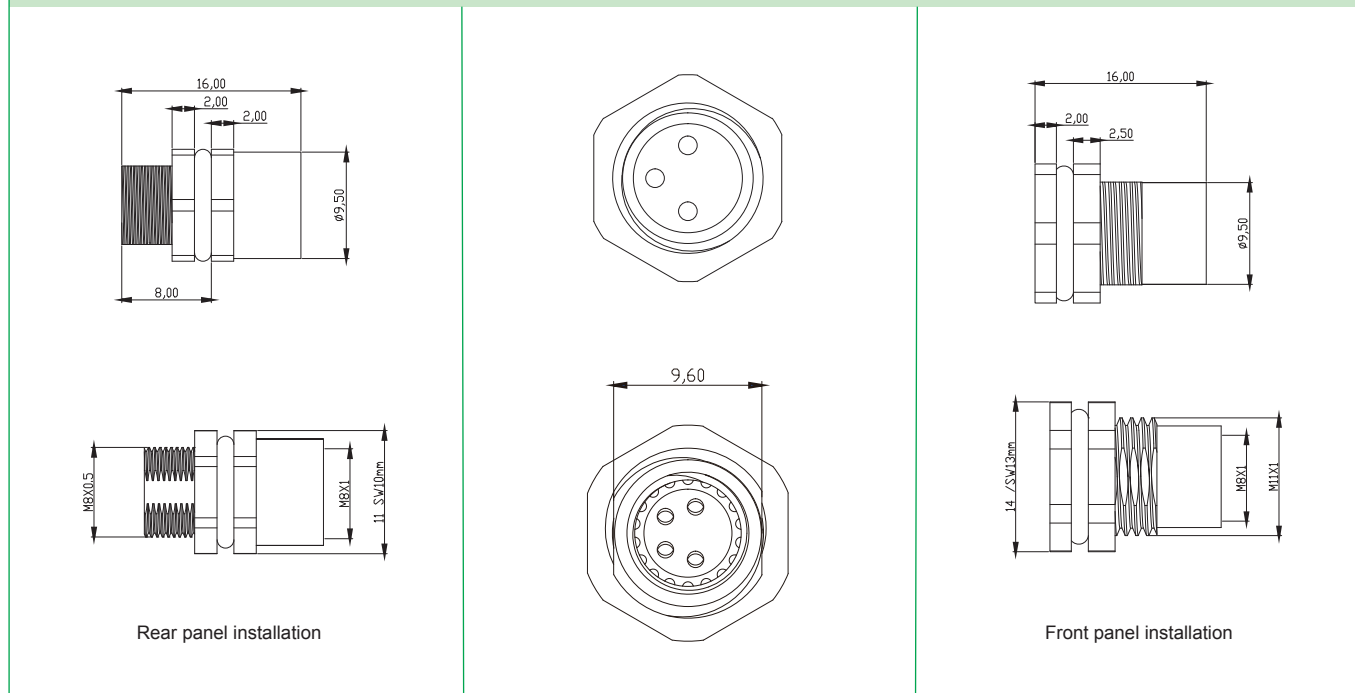
Cable jacket	Description	Type	Pin	Rated current/voltage	Dia. of cable
Brass zine nickel plating	Female 3-core rear panel installation	FO8.3-0/M8	3	4A/60V	0.25mm ²
	Female 3-core front panel installation	FO8.3-0/M11/F	3	4A/60V	0.25mm ²
	Female 4-core rear panel installation	FO8.4-0/M8	4	4A/30V	0.25mm ²
	Female 4-core front panel installation	FO8.4-0/M11/F	4	4A/30V	0.25mm ²

Order Code


FO8.3-0/M8

Attn: Standard

Dimensions



Flange socket connector - M8 male (M)

Description: Used for fixed I/O connecting such as panel and cabinet. Standard M8(male) threaded connection. 3, 4-core are optional.		
Features: <ul style="list-style-type: none"> ■ Optional front/rear panel installation ■ Customized cable lengths 		
Technical Data		

Cable jacket	Description	Type	Pin	Rated current/voltage	Dia. of cable
Brass zine nickel plating	Male 3-core rear panel installation	F8.3-0/M8	3	4A/60V	0.25mm ²
	Male 3-core front panel installation	F8.3-0/M8/F	3	4A/60V	0.25mm ²
	Male 4-core rear panel installation	F8.4-0/M8	4	4A/30V	0.25mm ²
	Male 4-core front panel installation	F8.4-0/M8/F	4	4A/30V	0.25mm ²

Order Code

F8.3-0/M8

Attn: Standard

Dimensions

